

WE GO THE DISTANCE FOR YOU



Manual Power Transfer Switch

Open Version

Product Info

- Low Profile, Space Saving Design: 2U Vertical Rack Space.
- Operates in Extreme Environments from -40°C to +74°C (-40°F to +165°F).
- Enclosures with a coordinated visual and technical design to match our Ruggedized UPS and Traffic Control BBS.
- High-quality cam switch with leading and overlapping contacts.
- Integrated power distribution receptacles.
- Plug-and-play (NEMA connectors or Anderson Power Pole) version or Hardwire version for easy and versatile installation.
- Input and Output circuit breakers.
- On-Line, Conditioned, Regenerated Power for Cabinet Maintenance.

MECHANICAL	
Dimensions (W x D x H) inches / mm	W 19 / 483 D 5.5 / 140 H 3.5 / 89 – 2U
Weight (lbs / kg)	7 / 3.2
Mounting	Shelf or 19" Rack Mount
Input Connection	Hardwire Terminal Block
Output Connection to Loads	Hardwire Terminal Block
Cooling	Convection (approx. 7 W contractor coil dissipation)
ENVIRONMENTAL	
Operating Temp °C	-37 to +74°C
Storage Temp °C	-50 to +75°C
Humidity	<95% non-condensing
Altitude, ft. (m)	10,000 (3000)

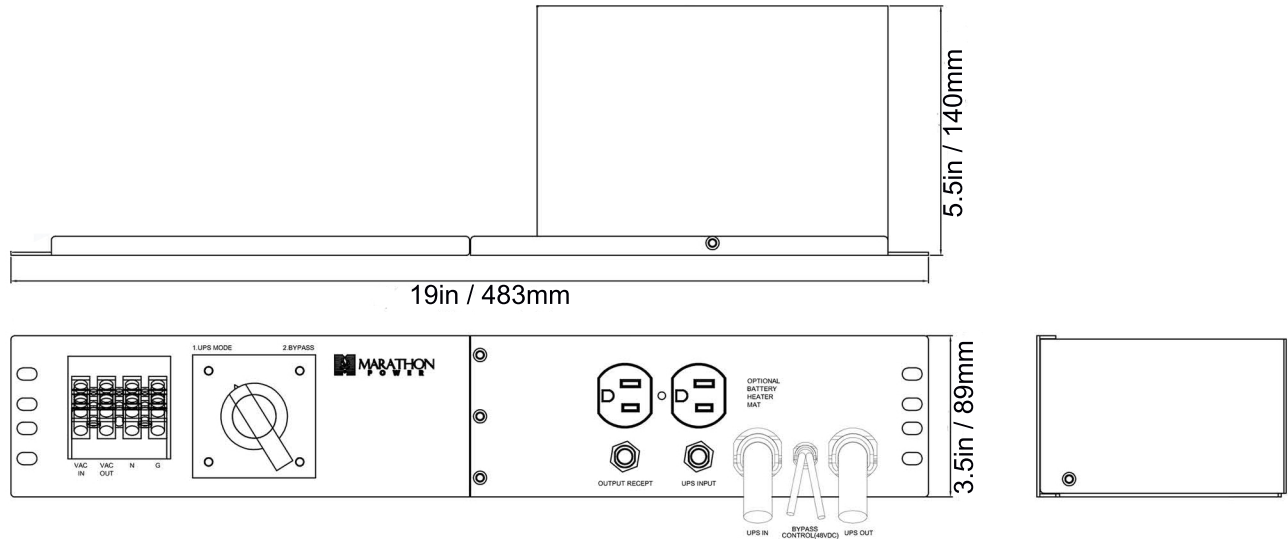
For use with Ruggedized Track UPS
and Caltrans Approved BBS Models



EXTREME ENVIRONMENTAL CONDITIONS



Manual Power Transfer Switch (Open) Dimensions in / mm



Part # TSRO-2002-01



2538 E. 54th Street
Huntington Park, CA 90255
Office: 310-689-2328
Fax: 310-689-2329
sales@marathon-power.com
info@marathon-power.com
www.marathon-power.com

Your local representative / distributor is