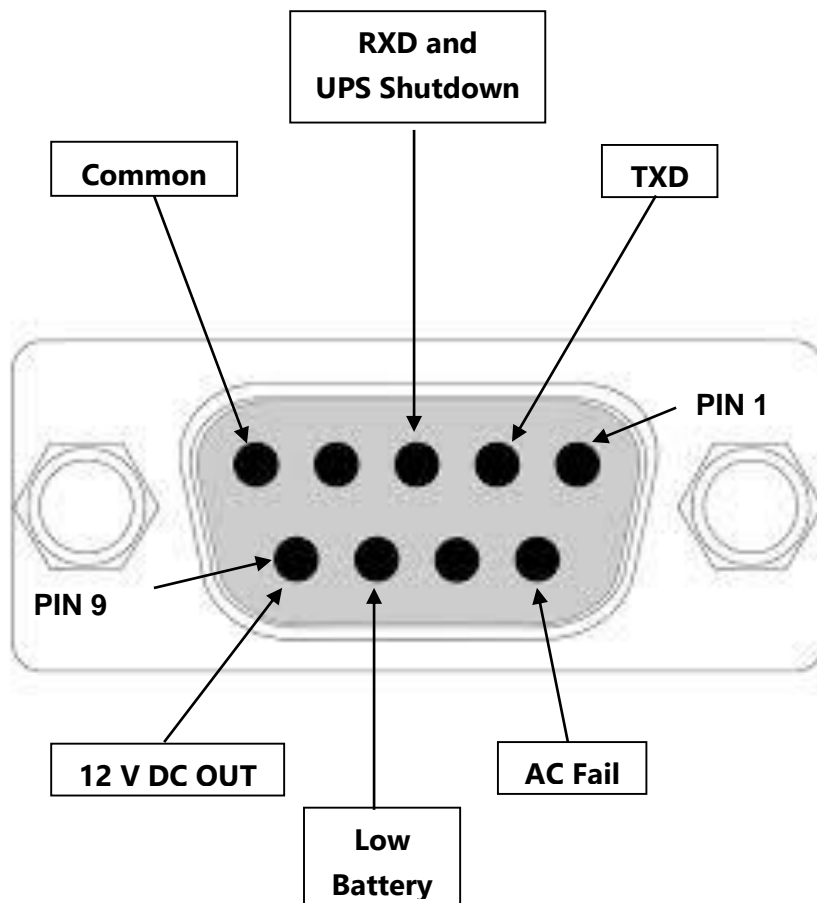


Marathon Power Technical Service Bulletin

Vault Series UPS

Part Number: xxxxxxxxxx

Pinout for Solid State AC Failure and Low Battery Signals,
Remote UPS Shutdown and RS-232 Serial Communication



Female Serial DB-9 Port on Back of UPS

Vault Series UPS

DB9 Pin Configuration

